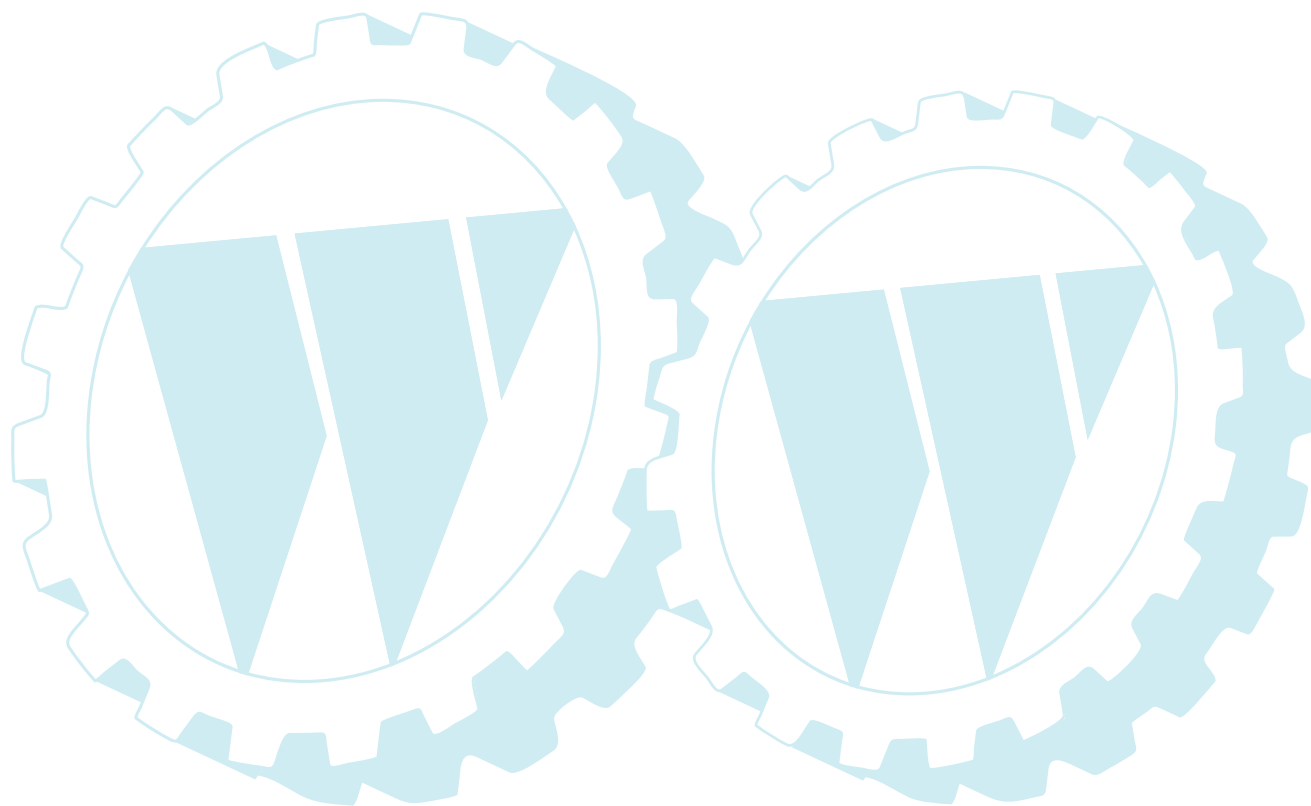


ILLUSTRATED PARTS LIST

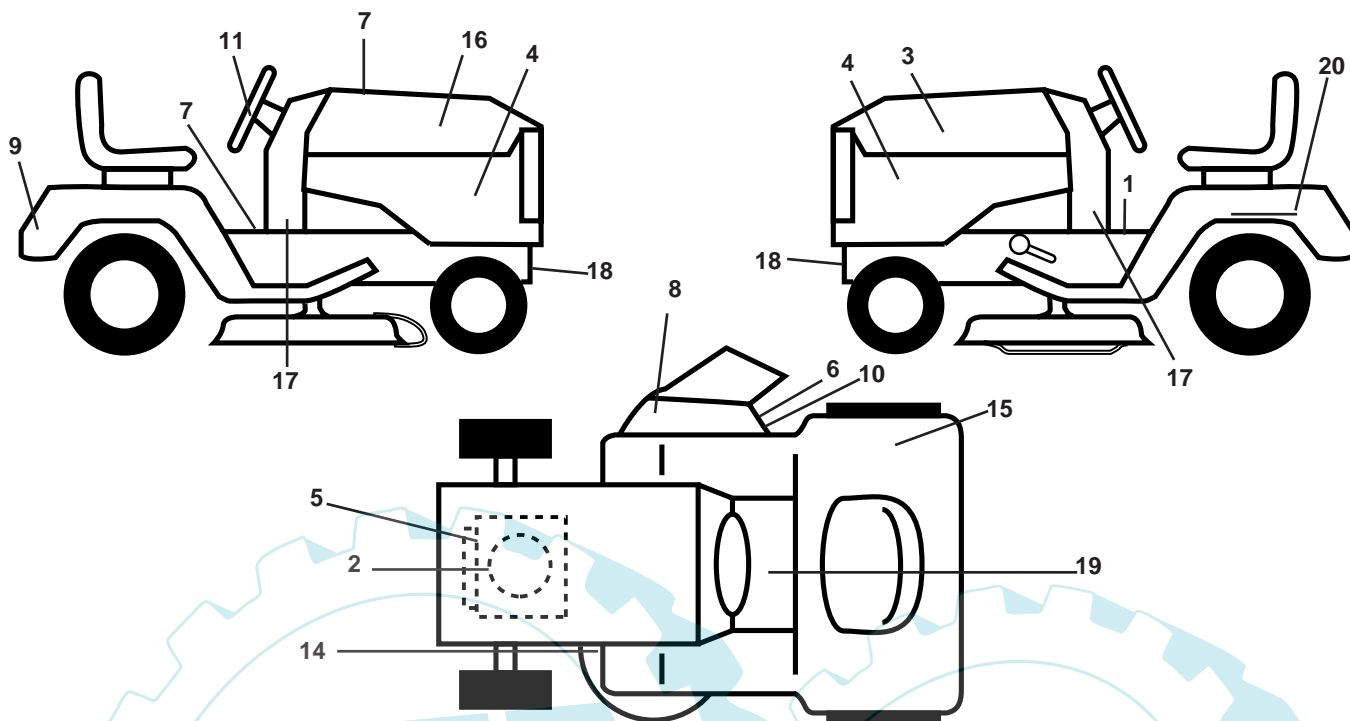
MFG ID NO. 96011021700

CUSTOMER CATALOG NO. PP185H42

PRODUCT NO. 960 11 02-17



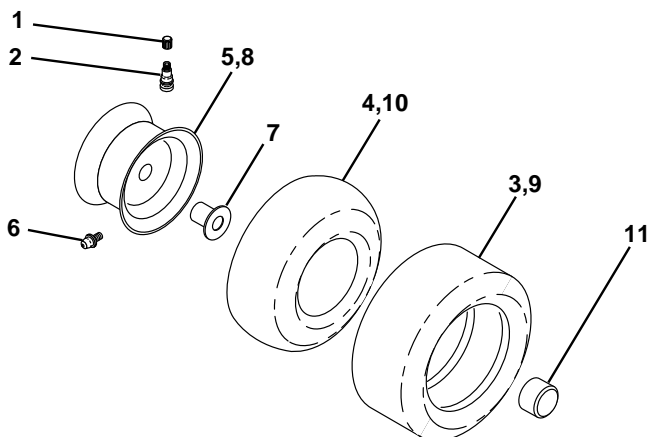
TRACTOR - - MODEL NUMBER PP185H42 (96011021700), PRODUCT NO. 960 11 02-17
DECALS



| KEY NO. | PART NO. | DESCRIPTION |
|---------|--------------|-----------------------------|
| 1 | 532 14 08-37 | Decal, Saddle Parking Brake |
| 2 | 532 18 92-88 | Decal, Engine RP |
| 3 | 532 18 61-64 | Decal, Hood LH |
| 4 | 532 18 92-89 | Decal, Side Panel Logo |
| 5 | 532 19 68-41 | Decal, Warning Eng Lym. |
| 6 | 532 18 21-66 | Decal, Cutfinger CE |
| 7 | 532 40 03-89 | Decal, Warning Sym CE |
| 8 | 532 17 91-28 | Decal, Deck "B" 42" |
| 9 | 532 17 27-40 | Decal, Fender Logo |
| 10 | 532 19 63-57 | Deflector Cutfinger Sym |
| 11 | 532 17 27-43 | Decal, Ins Strg Whl |
| 14 | 532 16 03-96 | Decal, V-Belt Schematic |
| 15 | 532 16 88-69 | Decal Tick Mark |

| KEY NO. | PART NO. | DESCRIPTION |
|---------|--------------|---------------------------------|
| 16 | 532 18 61-63 | Decal, Hood Rh |
| 17 | 532 40 24-36 | Decal, Lower Dash |
| 18 | 532 15 97-36 | Decal, Hot Muffler |
| 19 | 532 15 97-37 | Decal, Brake/Clutch symb |
| 20 | 532 14 50-05 | Decal, Bat Dan/Psn |
| -- | 532 16 25-98 | Decal, Load Limit |
| -- | 532 13 83-11 | Decal, Handle Lft Height Adjust |
| -- | 532 16 25-98 | Decal, Load Limit |
| -- | 532 16 69-60 | Decal, Bypass |
| -- | 532 18 82-52 | Pad Footrest LH |
| -- | 532 18 82-53 | Pad Footrest RH |
| -- | 532 40 36-66 | Manual Operator's |
| -- | 532 40 36-67 | Manual Parts |

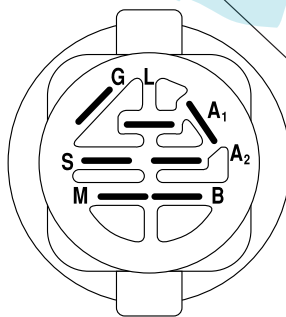
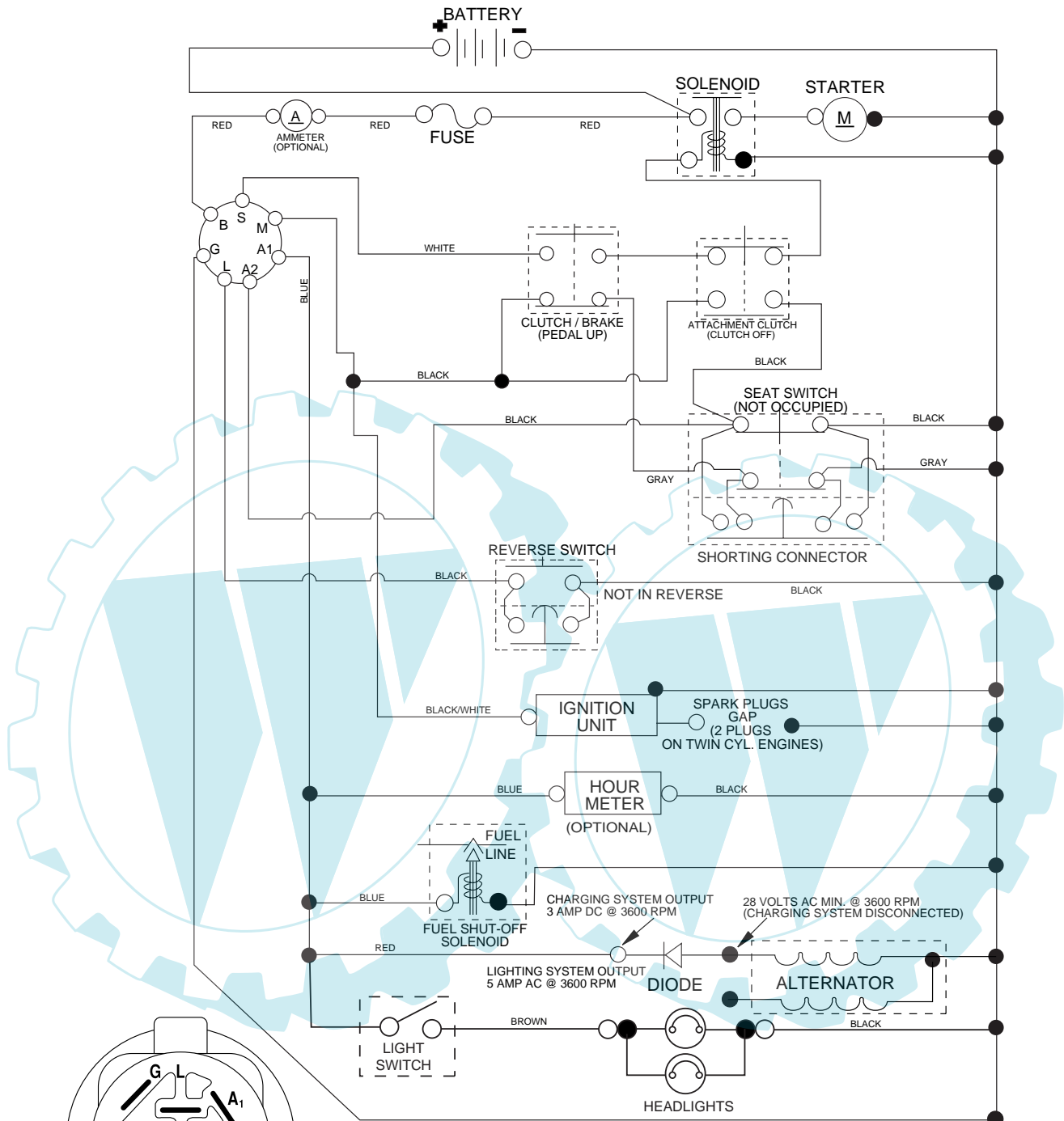
WHEELS AND TIRES



| KEY NO. | PART NO. | DESCRIPTION |
|---------|--------------|-----------------------------------|
| 1 | 532 05 91-92 | Cap Valve Tire |
| 2 | 532 06 51-39 | Stem Valve |
| 3 | 532 10 62-22 | Tire F T 15 x 6 0 - 6 Service |
| 4 | 532 05 99-04 | Tube Front (Service Item Only) |
| 5 | 532 12 51-21 | Rim Asm 6" front Service |
| 6 | 532 12 49-57 | Fitting Grease (Front Wheel Only) |
| 7 | 532 12 49-59 | Bearing Flange (Front Wheel nly) |
| 8 | 532 12 51-22 | Rim Asm 8" rear Service |
| 9 | 532 13 84-68 | Tire R T 20 x 8-8 Service |
| 10 | 532 12 49-26 | Tube Rear (Service Item Only) |
| 11 | 532 19 32-68 | Cap Axle Blk 1 50 x 1 00 |
| -- | 532 14 43-34 | Sealant, Tire (10 oz. Tube) |

NOTE: All component dimensions given in U.S. inches
1 inch = 25.4 mm

**TRACTOR - - MODEL NUMBER PP185H42 (96011021700), PRODUCT NO. 960 11 02-17
SCHEMATIC**



IGNITION SWITCH

| POSITION | CIRCUIT | "MAKE" |
|--------------|------------|--------|
| OFF | M+G+A1 | |
| RUN/OVERRIDE | B+A1 | |
| RUN | B+A1 | L+A2 |
| START | B + S + A1 | |

03059

NOTE

YOUR TRACTOR IS EQUIPPED WITH A SPECIAL ALTERNATOR SYSTEM. THE LIGHTS ARE NOT CONNECTED TO THE BATTERY, BUT HAVE THEIR OWN ELECTRICAL SOURCE. BECAUSE OF THIS, THE BRIGHTNESS OF THE LIGHTS WILL CHANGE WITH ENGINE SPEED. AT IDLE THE LIGHTS WILL DIM. AS THE ENGINE IS SPEEDED UP, THE LIGHTS WILL BECOME THEIR BRIGHTEST.

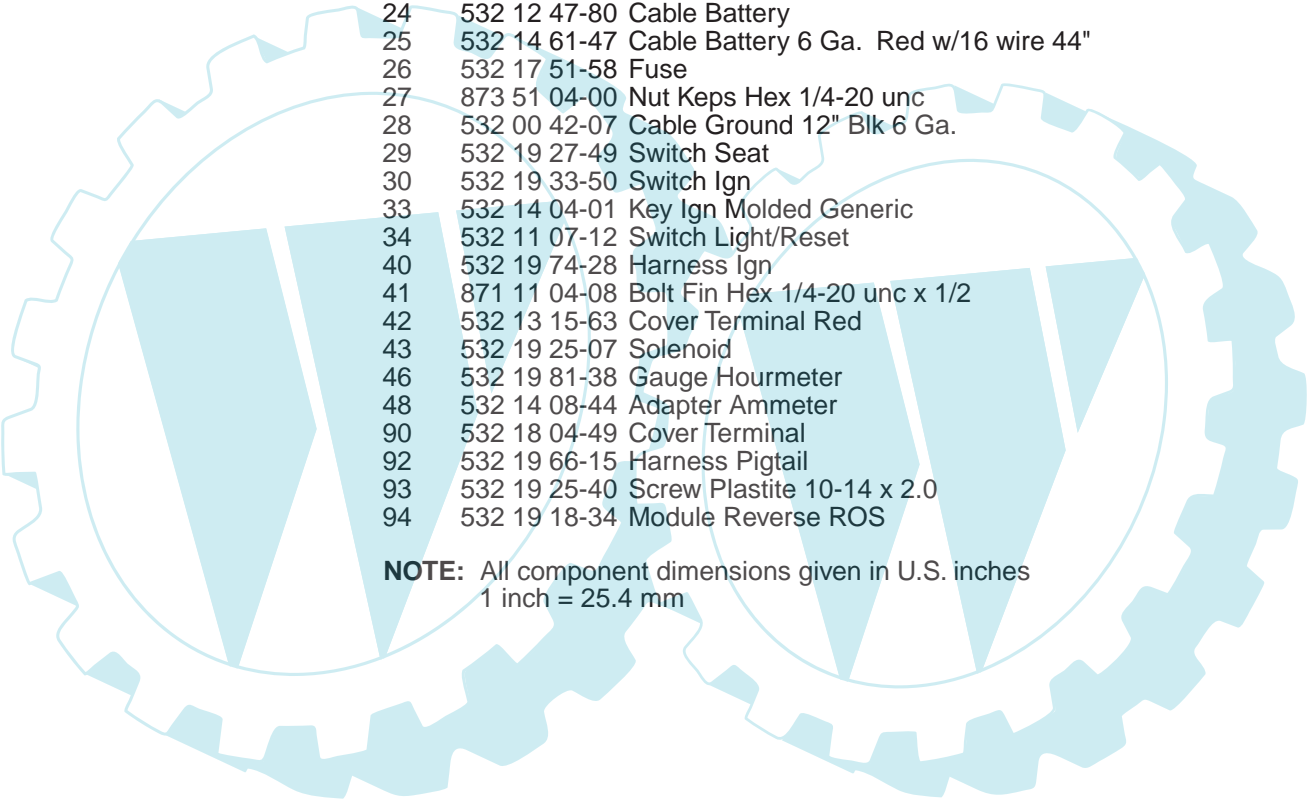
● NON-REMOVABLE CONNECTIONS

○ REMOVABLE CONNECTIONS

WIRING INSULATED CLIPS

NOTE: IF WIRING INSULATED CLIPS WERE REMOVED FOR SERVICING OF UNIT, THEY SHOULD BE REPLACED TO PROPERLY SECURE YOUR WIRING.

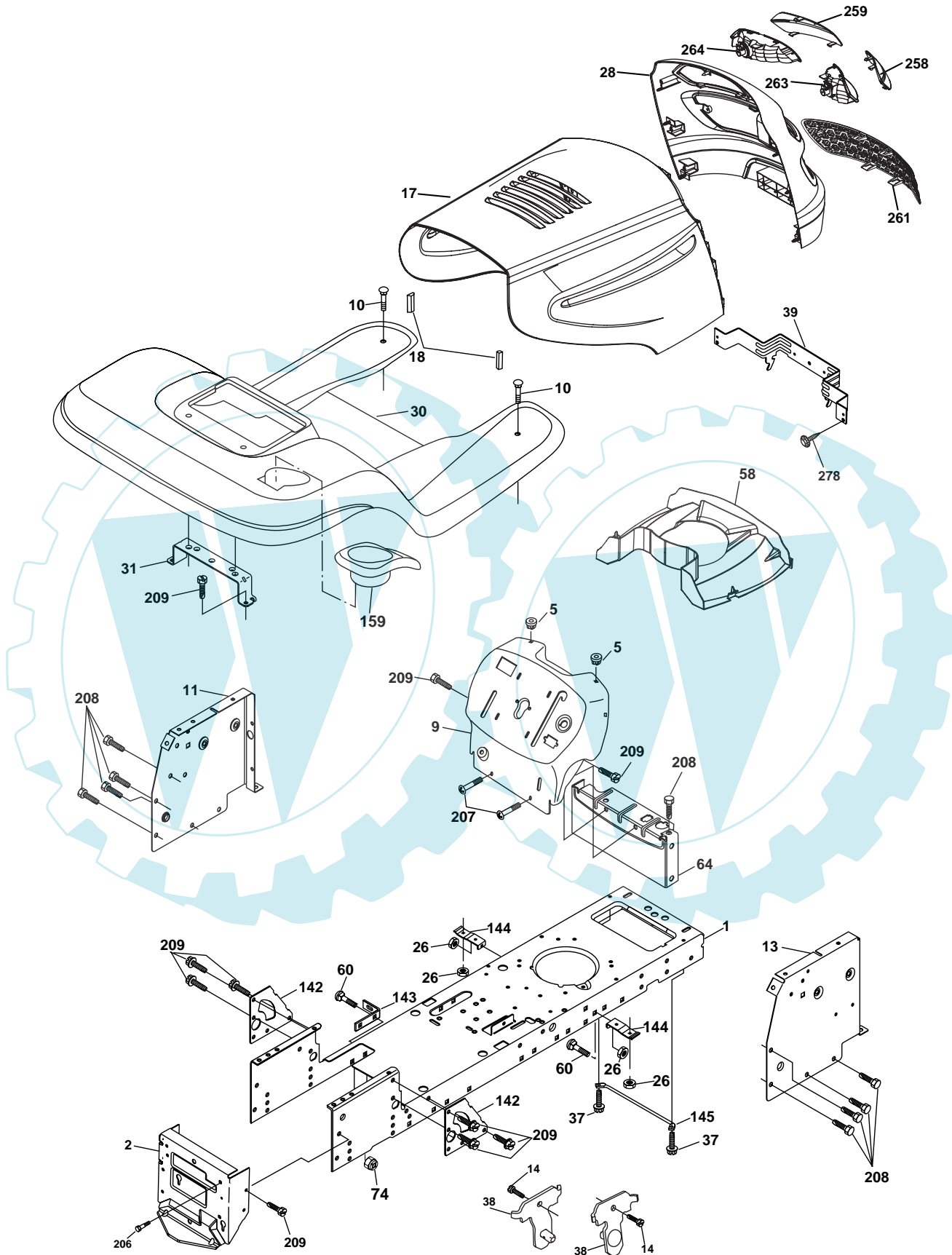
**TRACTOR - - MODEL NUMBER PP185H42 (96011021700), PRODUCT NO. 960 11 02-17
ELECTRICAL**



| KEY NO. | PART NO. | DESCRIPTION |
|----------------|-----------------|---------------------------------------|
| 1 | 532 16 34-65 | Battery |
| 2 | 874 76 04-12 | Bolt Hex Hd 1/4-20 unc x 3/4 |
| 8 | 532 17 66-89 | Box Battery |
| 16 | 532 17 61-38 | Switch Interlock |
| 21 | 532 18 37-59 | Harness Socket Light |
| 22 | 532 00 41-52 | Bulb, Light # 1156 |
| 24 | 532 12 47-80 | Cable Battery |
| 25 | 532 14 61-47 | Cable Battery 6 Ga. Red w/16 wire 44" |
| 26 | 532 17 51-58 | Fuse |
| 27 | 873 51 04-00 | Nut Keps Hex 1/4-20 unc |
| 28 | 532 00 42-07 | Cable Ground 12" Blk 6 Ga. |
| 29 | 532 19 27-49 | Switch Seat |
| 30 | 532 19 33-50 | Switch Ign |
| 33 | 532 14 04-01 | Key Ign Molded Generic |
| 34 | 532 11 07-12 | Switch Light/Reset |
| 40 | 532 19 74-28 | Harness Ign |
| 41 | 871 11 04-08 | Bolt Fin Hex 1/4-20 unc x 1/2 |
| 42 | 532 13 15-63 | Cover Terminal Red |
| 43 | 532 19 25-07 | Solenoid |
| 46 | 532 19 81-38 | Gauge Hourmeter |
| 48 | 532 14 08-44 | Adapter Ammeter |
| 90 | 532 18 04-49 | Cover Terminal |
| 92 | 532 19 66-15 | Harness Pigtail |
| 93 | 532 19 25-40 | Screw Plastite 10-14 x 2.0 |
| 94 | 532 19 18-34 | Module Reverse ROS |

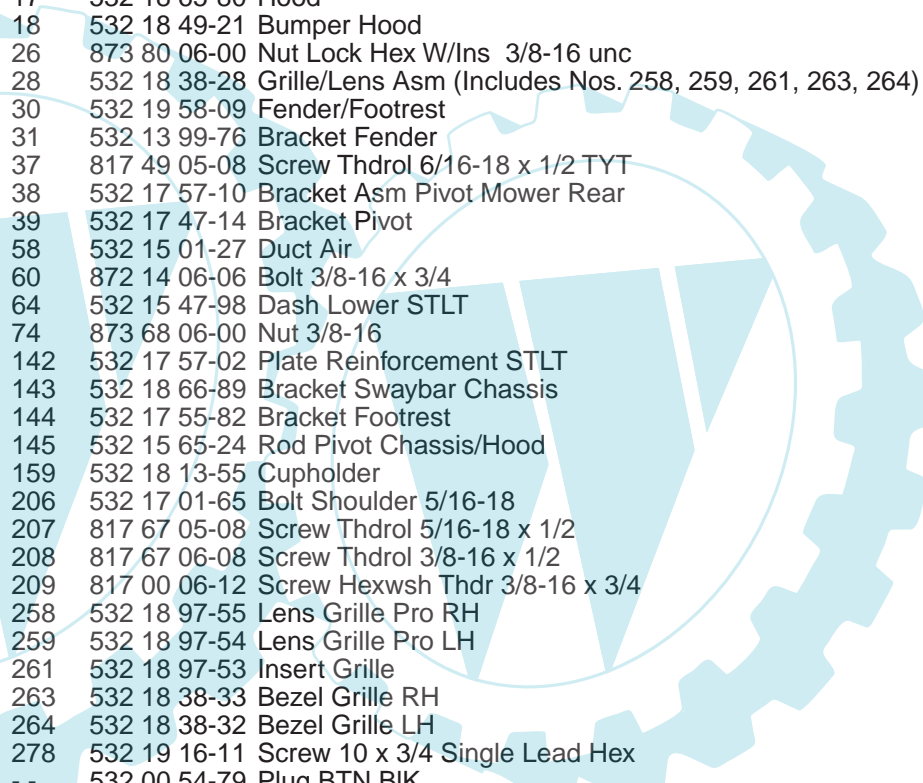
NOTE: All component dimensions given in U.S. inches
1 inch = 25.4 mm

TRACTOR - - MODEL NUMBER PP185H42 (96011021700), PRODUCT NO. 960 11 02-17
CHASSIS



chassis_elite sv_pro_11

**TRACTOR - - MODEL NUMBER PP185H42 (96011021700), PRODUCT NO. 960 11 02-17
CHASSIS**



| KEY NO. | PART NO. | DESCRIPTION |
|---------|--------------|---|
| 1 | 532 17 46-19 | Chassis |
| 2 | 532 17 65-54 | Drawbar |
| 5 | 532 15 52-72 | Bumper Hood/Dash |
| 9 | 532 40 51-14 | Dash P/L |
| 10 | 872 14 06-08 | Bolt Carriage 3/8-16 x 1 |
| 11 | 532 17 49-96 | Panel Dash Lh |
| 13 | 532 18 69-52 | Panel Dash Rh |
| 14 | 817 49 06-08 | Screw Thdrol 3/8-16 x 1/2 |
| 17 | 532 18 65-80 | Hood |
| 18 | 532 18 49-21 | Bumper Hood |
| 26 | 873 80 06-00 | Nut Lock Hex W/Ins 3/8-16 unc |
| 28 | 532 18 38-28 | Grille/Lens Asm (Includes Nos. 258, 259, 261, 263, 264) |
| 30 | 532 19 58-09 | Fender/Footrest |
| 31 | 532 13 99-76 | Bracket Fender |
| 37 | 817 49 05-08 | Screw Thdrol 6/16-18 x 1/2 TYT |
| 38 | 532 17 57-10 | Bracket Asm Pivot Mower Rear |
| 39 | 532 17 47-14 | Bracket Pivot |
| 58 | 532 15 01-27 | Duct Air |
| 60 | 872 14 06-06 | Bolt 3/8-16 x 3/4 |
| 64 | 532 15 47-98 | Dash Lower STLT |
| 74 | 873 68 06-00 | Nut 3/8-16 |
| 142 | 532 17 57-02 | Plate Reinforcement STLT |
| 143 | 532 18 66-89 | Bracket Swaybar Chassis |
| 144 | 532 17 55-82 | Bracket Footrest |
| 145 | 532 15 65-24 | Rod Pivot Chassis/Hood |
| 159 | 532 18 13-55 | Cupholder |
| 206 | 532 17 01-65 | Bolt Shoulder 5/16-18 |
| 207 | 817 67 05-08 | Screw Thdrol 5/16-18 x 1/2 |
| 208 | 817 67 06-08 | Screw Thdrol 3/8-16 x 1/2 |
| 209 | 817 00 06-12 | Screw Hexwsh Thdr 3/8-16 x 3/4 |
| 258 | 532 18 97-55 | Lens Grille Pro RH |
| 259 | 532 18 97-54 | Lens Grille Pro LH |
| 261 | 532 18 97-53 | Insert Grille |
| 263 | 532 18 38-33 | Bezel Grille RH |
| 264 | 532 18 38-32 | Bezel Grille LH |
| 278 | 532 19 16-11 | Screw 10 x 3/4 Single Lead Hex |
| -- | 532 00 54-79 | Plug BTN BIK |
| -- | 532 18 78-01 | Plug Dome Plastic |

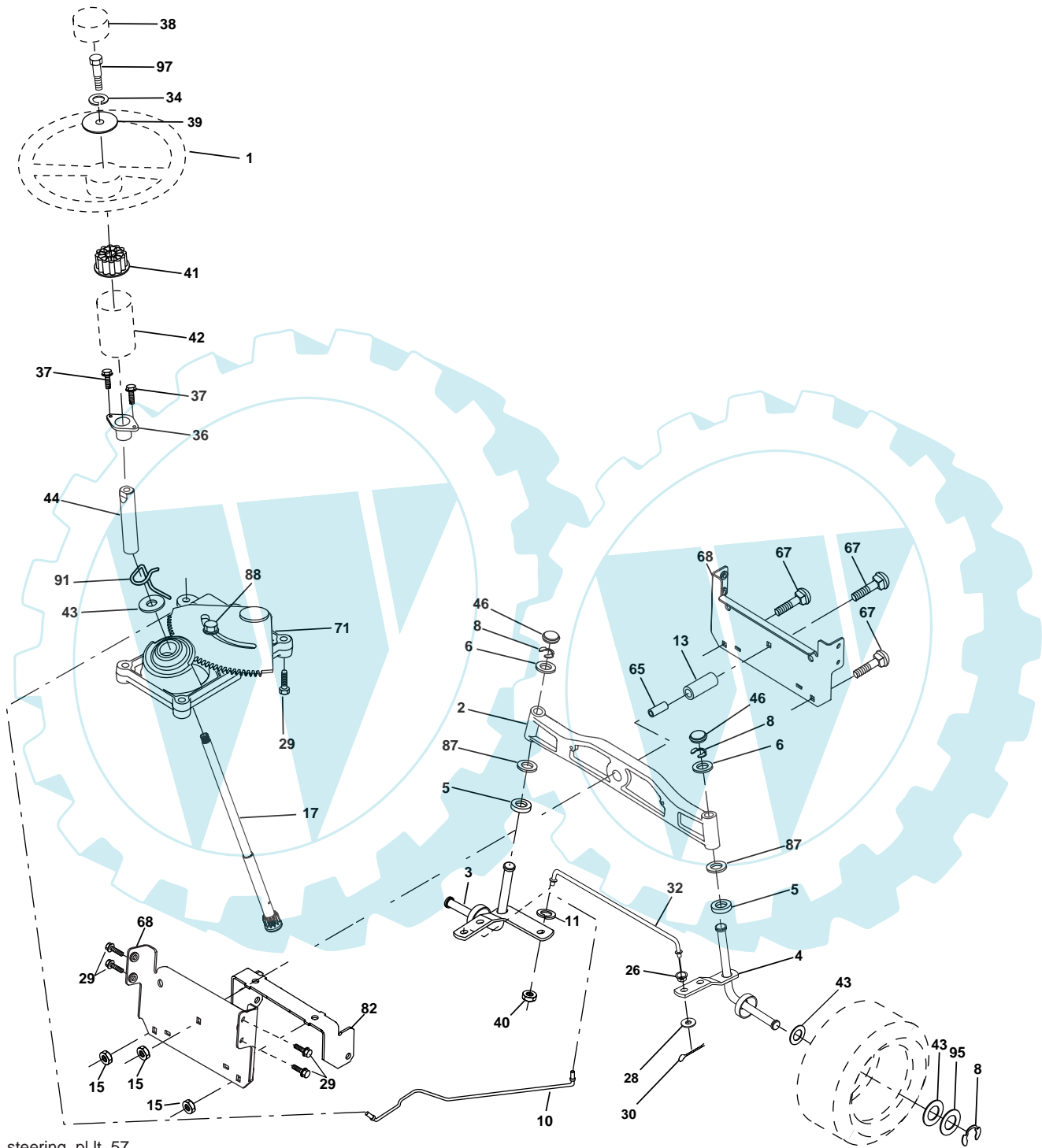
NOTE: All component dimensions given in U.S. inches
1 inch = 25.4 mm

TRACTOR - - MODEL NUMBER PP185H42 (96011021700), PRODUCT NO. 960 11 02-17 DRIVE

| KEY NO. | PART NO. | DESCRIPTION | KEY NO. | PART NO. | DESCRIPTION |
|---------|-----------|--|---------|-----------|-----------------------------------|
| 1 | ----- | Transaxle Hydro Gear 314-0510 (Order Parts From Transaxle Manufacturer) | 66 | 532154778 | Keeper Belt Engine |
| 8 | 532192706 | Rod Shift | 69 | 532142432 | Screw Hex Wsh Hi-Lo 1/4-1/2 unc |
| 10 | 876020416 | Pin Cotter 1/8 x 1 CAD | 70 | 532134683 | Guide Belt |
| 14 | 810040400 | Washer Lock Hvy Helical | 71 | 532169183 | Strap Torque LH |
| 15 | 874490544 | Bolt, Hex FLGHD 5/16-18 Gr. 5 | 73 | 532169182 | Strap Torque RH |
| 16 | 873800500 | Nut Lock Hex W/Ins 5/16-18 unc | 74 | 532137057 | Spacer, Axle |
| 19 | 873800600 | Nut Lock Hex W/Wsh 3/8-16 unc | 75 | 532121749 | Washer 25/32 x 1-1/4 x 16 Ga. |
| 21 | 532140845 | Knob, Round 1/2-13 | 76 | 812000001 | E-Ring |
| 22 | 532169498 | Rod, Brake Hydro | 77 | 532123583 | Key, Square |
| 24 | 873350600 | Nut | 78 | 532121748 | Washer 25/32 x 1-5/8 x 16 Ga. |
| 25 | 532106888 | Spring, Brake Rod | 81 | 532165596 | Shaft Asm. Cross Hydro |
| 26 | 819131316 | Washer | 82 | 532165711 | Spring Torsion T/A |
| 27 | 876020412 | Pin Cotter 1/8 x 3/4 CAD. | 83 | 819171216 | Washer 17/32 x 3/4 x 16 Ga. |
| 28 | 532175765 | Rod, Parking Brake | 84 | 532169594 | Link Trans. |
| 29 | 532071673 | Cap, Parking Brake | 89 | 532195746 | Console, Shift |
| 30 | 532169592 | Bracket, Transaxle | 95 | 532170201 | Disconnect Asm. Rod Bypass |
| 32 | 874760512 | Bolt Hex Hd 5/16-18 unc x 3/4 | 96 | 532004497 | Retainer Spring 1" Zinc/Cad |
| 34 | 532175578 | Shaft, Foot Pedal | 112 | 819091210 | Washer 9/32 x 3/4 x 10 Ga. |
| 35 | 532120183 | Bearing, Nylon | 116 | 872140608 | Bolt RDHD SQNK 3/8-16 unc x 1 |
| 36 | 819211616 | Washer | 120 | 873900600 | Nut Lock Flg 3/8-16 unc |
| 37 | 532001572 | Pin, Roll | 150 | 532175456 | Spacer Retainer |
| 38 | 532179114 | Pulley, Composite | 151 | 819133210 | Washer 13/32 x 2 x 10 Ga. |
| 39 | 872110622 | Bolt Rdhd 3/8-16 unc x 2-3/4 Gr. 5 | 156 | 532166002 | Washer Srrted 5/16 ID x 1.125 |
| 41 | 532175556 | Keeper, Belt Idler | 158 | 532165589 | Bracket Shift Mount |
| 47 | 532127783 | Pulley, Idler, V-Groove | 159 | 532183900 | Hub Shift |
| 48 | 532154407 | Bellcrank Clutch Grnd Drv STL | 161 | 872140406 | Bolt Rdhd Sqnk 1/4-20 x 3/4 Gr. 5 |
| 49 | 532123205 | Retainer, Belt | 162 | 873680400 | Nut Crownlock 1/4-20 unc |
| 50 | 872110612 | Bolt Carr Sh 3/8-16 x 1-1/2 Gr. 5 | 163 | 874780416 | Bolt Hex Fin 1/4-20 unc x 1 Gr. 5 |
| 51 | 873680600 | Nut Crownlock 3/8-16 unc | 165 | 532165623 | Bracket Pivot Lever |
| 52 | 873680500 | Nut Crownlock 5/16-18 unc | 166 | 817490510 | Screw 5/16-18 x 5/8 |
| 53 | 532199652 | Link, Clutch | 168 | 532165492 | Bolt Shoulder 5/16-18 x .561 |
| 55 | 532105709 | Spring, Return, Clutch | 169 | 532165580 | Plate Fastening Lt |
| 56 | 817060620 | Screw 3/8-16 x 1-1/4 | 197 | 532169613 | Nyliner Snap-In 5/8" ID |
| 57 | 532140294 | V-Belt, Ground Drive | 198 | 532169593 | Washer Nyl 7/8 ID x .105 |
| 59 | 532169691 | Keeper, Center Span | 199 | 532169612 | Bolt Shoulder |
| 61 | 817120614 | Screw 3/8-16 x .875 | 200 | 872140508 | Bolt Carr. 5/16-18 x 1 |
| 62 | 532124782 | Cover, Pedal | 202 | 872110614 | Bolt Carr Sh 3/8-16 x 1-3/4 Gr. 5 |
| 63 | 532175410 | Pulley, Engine | 212 | 532145212 | Nut Hex flange Lock |
| 64 | 532173937 | Bolt Hex 7/16-20 x 4 x Gr. 5-1.5 Thr | 263 | 817000612 | Screw Hex Wsh Thdr 3/8-16 x 3/4 |
| 65 | 810040700 | Washer | | | |

NOTE: All component dimensions given in U.S. inches
1 inch = 25.4 mm

TRACTOR - - MODEL NUMBER PP185H42 (96011021700), PRODUCT NO. 960 11 02-17
STEERING ASSEMBLY



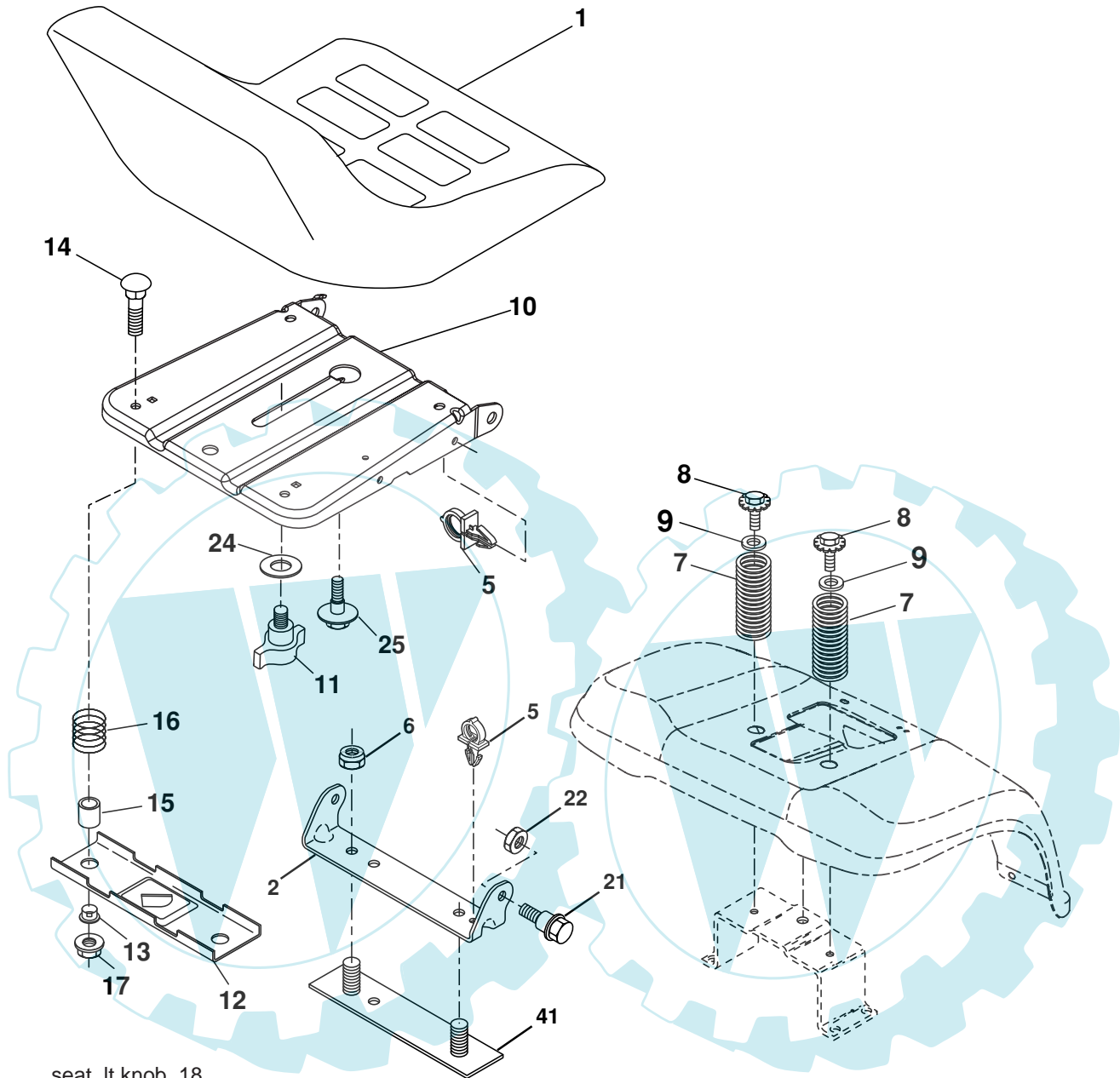
steering_pl.lt_57

**TRACTOR - - MODEL NUMBER PP185H42 (96011021700), PRODUCT NO. 960 11 02-17
STEERING ASSEMBLY**

| KEY NO. | PART NO. | DESCRIPTION |
|---------|--------------|-----------------------------------|
| 1 | 532 19 45-95 | Wheel Steering |
| 2 | 532 18 47-06 | Axle Asm |
| 3 | 532 16 98-40 | Spindle Asm LH |
| 4 | 532 16 98-39 | Spindle Asm RH |
| 5 | 532 12 49-31 | Bearing Race Thrust Harden |
| 6 | 532 12 17-48 | Washer 25/32 x 1-5/8 x 16 Ga. |
| 8 | 812 00 00-29 | Ring Klip #t5304-75 |
| 10 | 532 17 51-21 | Link Drag |
| 11 | 810 04 06-00 | Washer Lock Hvy Hlcl Spr 3/8 |
| 13 | 532 13 65-18 | Spacer Brg Axle Front |
| 15 | 532 14 52-12 | Nut Hex Flange Lock |
| 17 | 532 19 07-53 | Shaft Asm Steering |
| 26 | 532 12 68-47 | Bushing Link Drag |
| 28 | 819 13 14-16 | Washer 13/32 x 7/8 x 16 Ga. |
| 29 | 817 00 06-12 | Screw 3/8-16 x .75 |
| 30 | 876 02 04-12 | Pin Cotter 1/8 x 3/4 |
| 32 | 532 19 27-57 | Rod Tie |
| 34 | 810 04 05-00 | Washer Lock Hvy Hlcl Spr 5/16 |
| 36 | 532 15 50-99 | Bushing Strg |
| 37 | 532 15 29-27 | Screw |
| 38 | 532 19 46-03 | Insert Cap Strg Wh |
| 39 | 819 11 38-12 | Washer 11/32 ID x 2-3/8 OD 12 Ga. |
| 40 | 873 54 06-00 | Crownlock nut |
| 41 | 532 18 67-37 | Adaptor Wheel Strg |
| 42 | 532 16 96-33 | Boot Steering Dash |
| 43 | 532 12 17-49 | Washer 25/32 x 1 1/4 x 16 Ga. |
| 44 | 532 19 07-52 | Extension Steering Shaft |
| 46 | 532 12 12-32 | Cap Spindle Fr Top Blk |
| 65 | 532 16 03-67 | Spacer Brace Axle |
| 67 | 872 11 06-18 | Bolt RDHD SQNK 3/8-16 x 2 1/4 |
| 71 | 532 17 51-46 | Steering Asm |
| 68 | 532 16 98-27 | Axle, Brace |
| 82 | 532 19 99-78 | Bracket Susp Chassis Front |
| 87 | 532 17 39-66 | Washer Flat .781 x 1 1/2 x .14 |
| 88 | 532 17 51-18 | Bolt Shoulder 7/16-20 unc |
| 91 | 532 17 55-53 | Clip Steering |
| 95 | 532 18 89-67 | Washer Harden .739 x 1.637 x .060 |
| 97 | 874 78 05-64 | Bolt 5/16-18 unc x 4" L Gr. 5 |

NOTE: All component dimensions given in U.S. inches
1 inch = 25.4 mm

TRACTOR - - MODEL NUMBER PP185H42 (96011021700), PRODUCT NO. 960 11 02-17
SEAT ASSEMBLY



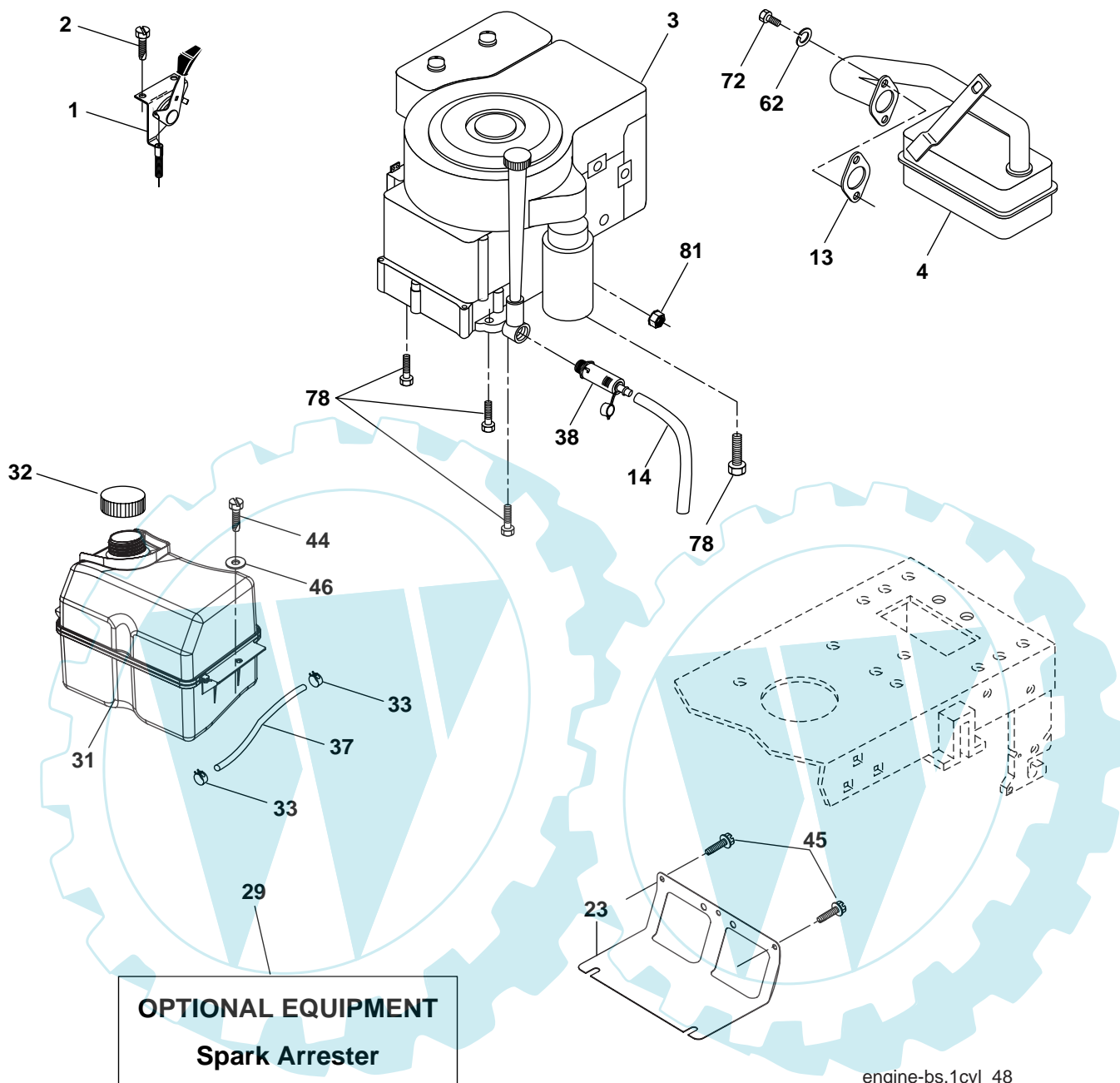
seat_lt.knob_18

| KEY NO. | PART NO. | DESCRIPTION |
|---------|--------------|--------------------------------|
| 1 | 532 18 87-12 | Seat |
| 2 | 532 14 05-51 | Bracket Pivot Seat 8 720 |
| 5 | 532 14 50-06 | Clip Push-In |
| 6 | 873 80 06-00 | Nut Hex w/Ins. 3/8-16 unc |
| 7 | 532 12 41-81 | Spring Seat Cprsn 2 250 Blk Zi |
| 8 | 817 00 06-16 | Screw 3/8-16 x 1.5 Smgml |
| 9 | 819 13 16-14 | Washer 13/32 x 1 x 14 Ga. |
| 10 | 532 19 55-30 | Pan Seat |
| 11 | 532 16 63-69 | Knob Seat |
| 12 | 532 17 46-48 | Bracket Mounting Switch |
| 13 | 532 12 12-48 | Bushing Snap Blk Nyl 50 Id |
| 14 | 872 05 04-12 | Bolt Rdhd Sqnk 1/4-20 x 1-1/2 |

| KEY NO. | PART NO. | DESCRIPTION |
|---------|--------------|---------------------------------|
| 15 | 532 13 43-00 | Spacer Split 28x 88 |
| 16 | 532 12 12-50 | Spring Cprsn |
| 17 | 532 12 39-76 | Nut Lock 1/4 Lge Flg Gr. 5 Zinc |
| 21 | 532 17 18-52 | Bolt Shoulder 5/16-18 unc |
| 22 | 873 80 05-00 | Nut Hex Lock W/Ins 5/16-18 |
| 24 | 819 17 19-12 | Washer 17/32 x 1-3/16 x 12 Ga. |
| 25 | 532 12 70-18 | Bolt Shoulder 5/16-18 x 62 |
| 41 | 532 14 06-75 | Strap Asm. Fender |

NOTE: All component dimensions given in U.S. inches
1 inch = 25.4 mm

TRACTOR - - MODEL NUMBER PP185H42 (96011021700), PRODUCT NO. 960 11 02-17
ENGINE



OPTIONAL EQUIPMENT
Spark Arrester

engine-bs.1cyl_48

| KEY NO. | PART NO. | DESCRIPTION |
|---------|--------------|--|
| 1 | 532 17 05-51 | Control, Throttle |
| 2 | 817 72 04-08 | Screw Hex Thd Cut 1/4-20 x 1/2 |
| 3 | ----- | Engine Briggs Model 31P777 (Order Parts from Engine Mfg.) |
| 4 | 532 13 73-52 | Muffler |
| 13 | 532 16 52-91 | Muffler Gasket |
| 14 | 532 14 84-56 | Tube Oil Drain |
| 23 | 532 16 98-37 | Shield, Browning/Debris Guard |
| 29 | 532 13 71-80 | Arrester, Spark |
| 31 | 532 18 55-34 | Tank, Fuel |
| 32 | 532 19 77-25 | Cap, Fuel |
| 33 | 532 12 34-87 | Clamp, Hose Blk |
| 37 | 532 13 70-40 | Line, Fuel |
| 38 | 532 18 16-54 | Plug Drain Oil Easy |
| 44 | 817 67 04-12 | Screw Hex Wsh Thdrol 1/4-20 x 3/4 |
| 45 | 817 00 06-12 | Screw Hex Wsh Thdrol 3/8-16 x 3/4 |

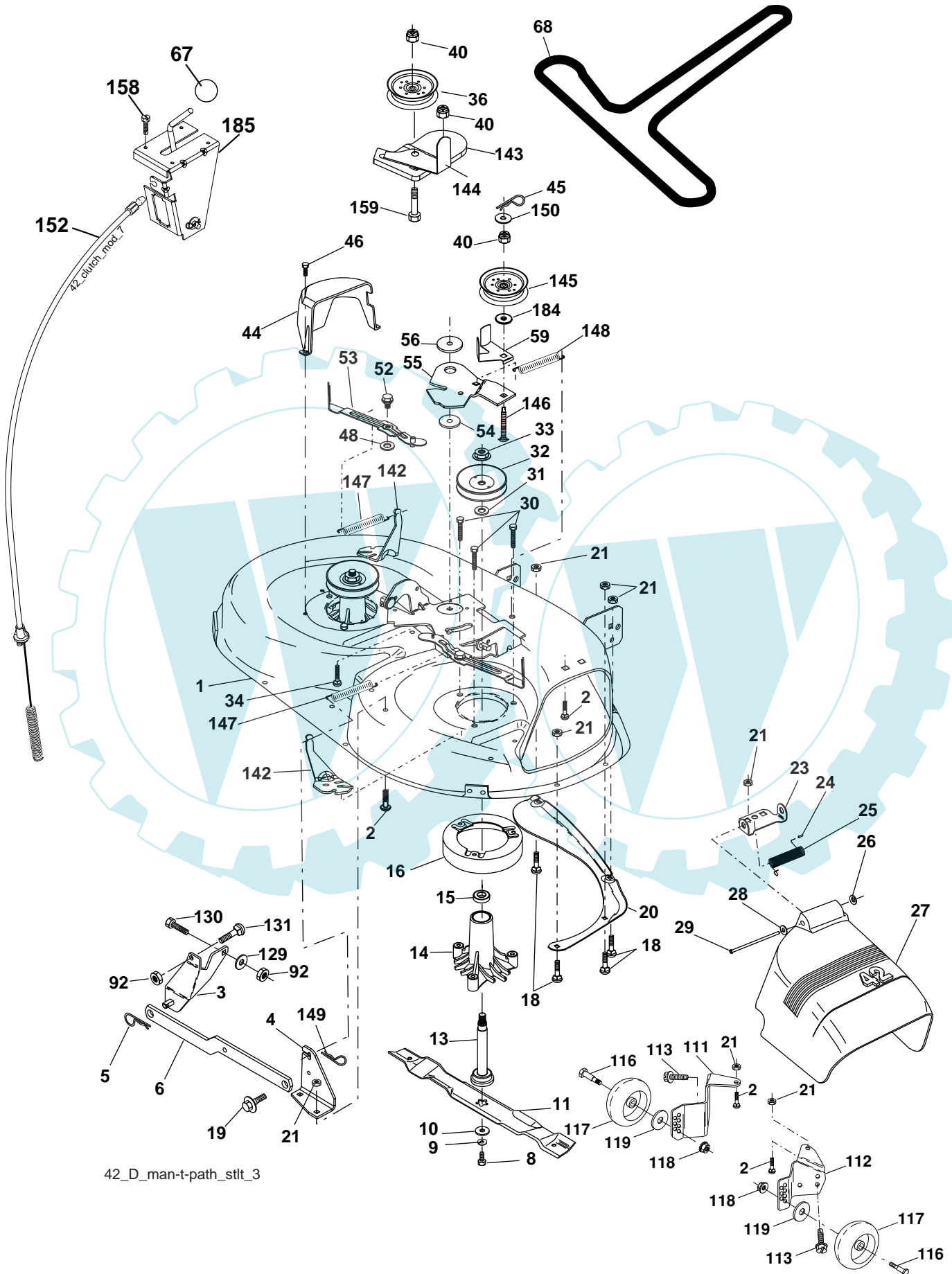
| KEY NO. | PART NO. | DESCRIPTION |
|---------|--------------|-------------------------------|
| 46 | 819 09 14-16 | Washer 9/32 x 7/8 x 16 Ga. |
| 62 | 810 01 05-00 | Washer Split |
| 72 | 532 19 23-34 | Screw Socket Hd 5/16-18 x .75 |
| 78 | 817 06 06-20 | Screw 3/8-16 x 1-1/4 |
| 81 | 873 51 04-00 | Nut Keps Hex 1/4-20 unc |

NOTE: All component dimensions given in U.S. inches
1 inch = 25.4 mm

For engine service and replacement parts, call the toll free number for your engine manufacturer listed below:

| | |
|-------------------|----------------|
| Briggs & Stratton | 1-800-233-3723 |
| Kohler Co. | 1-800-544-2444 |
| Tecumseh Products | 1-800-558-5402 |
| Honda Engines | 1-800-426-7701 |
| Kawasaki | 1-949-460-5688 |

TRACTOR - - MODEL NUMBER PP185H42 (96011021700), PRODUCT NO. 960 11 02-17
MOWER DECK



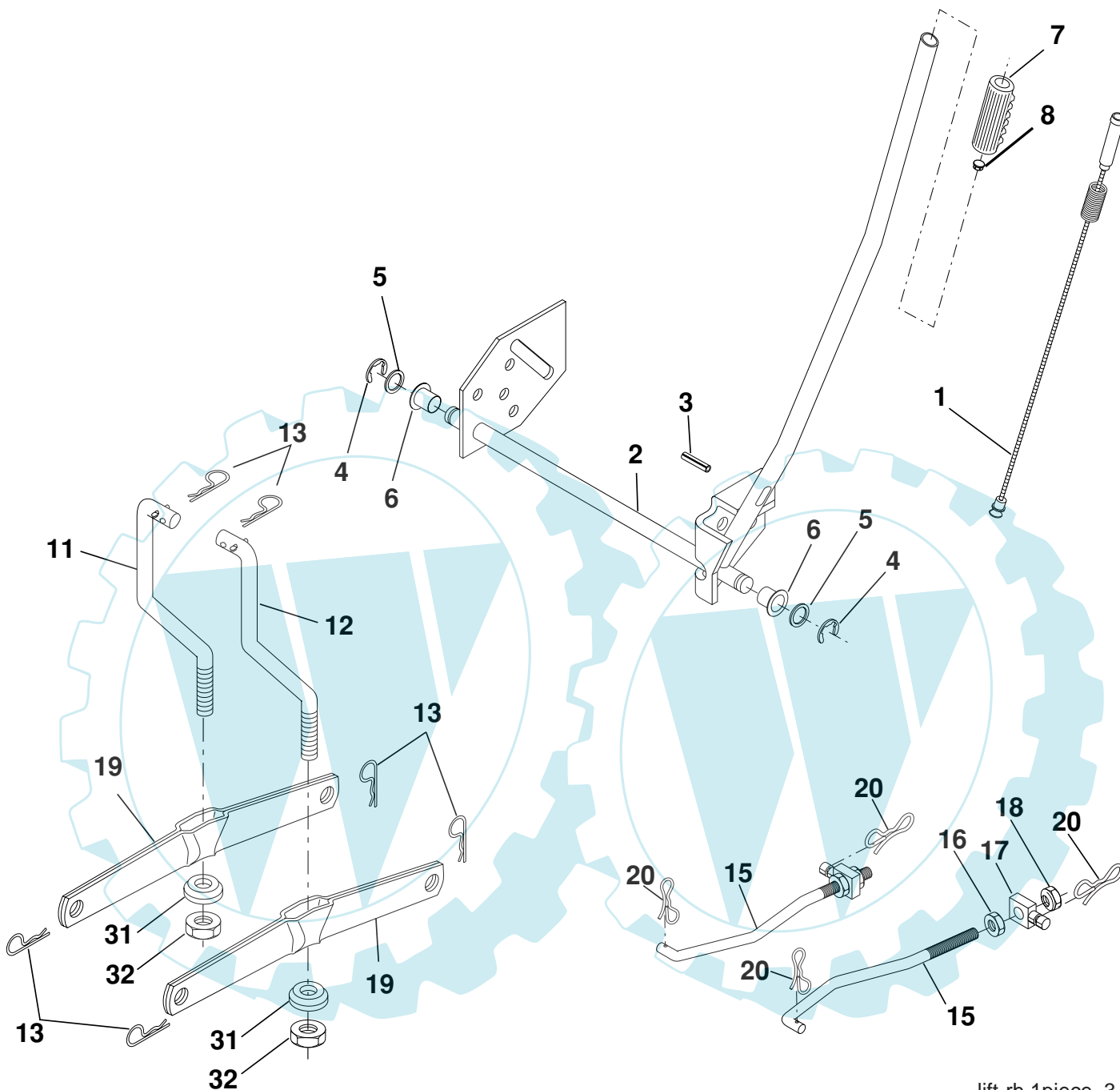
42_D_man-t-path_stlt_3

**TRACTOR - - MODEL NUMBER PP185H42 (96011021700), PRODUCT NO. 960 11 02-17
MOWER DECK**

| KEY NO. | PART NO. | DESCRIPTION | KEY NO. | PART NO. | DESCRIPTION |
|---------|--------------|--------------------------------------|---------|--------------|--|
| 1 | 532 16 58-92 | Mower Deck Assembly, 42" | 53 | 532 18 49-07 | Arm Assembly, Pad, Brake |
| 2 | 872 14 05-06 | Bolt | 54 | 532 17 85-15 | Washer, Hardened |
| 3 | 532 13 80-17 | Bracket Asm Fr. Sway Bar 3/42 | 55 | 532 15 50-46 | Arm, Idler |
| 4 | 532 16 54-60 | Bracket Asm Deck 42" Sway Bar | 56 | 532 12 20-52 | Spacer, Retainer |
| 5 | 532 12 46-70 | Retainer Spring | 59 | 532 14 10-43 | Guard TUV Idler |
| 6 | 532 17 80-24 | Bar Sway Deck | 67 | 532 17 15-98 | Knob |
| 8 | 532 85 08-57 | Bolt 3/8-24 x 1.25 Gr. 8 patched | 68 | 532 14 49-59 | V-Belt, 42" Mower |
| 9 | 810 03 06-00 | Washer, Lock | 92 | 873 80 06-00 | Nut 3/8-16 |
| 10 | 532 14 02-96 | Washer, Hardened | 111 | 532 17 92-92 | Bracket Asm. Whl Ga. LH |
| | | (The following Blades are available) | 112 | 532 17 92-93 | Bracket Asm Whl Ga. RH |
| 11 | 532 13 89-71 | Blade Mower 42" Hi-Lift | 113 | 817 00 05-10 | Screw 5/16-18 |
| | | (for bagging and discharging) | 116 | 532 12 48-42 | Bolt, Shoulder |
| -- | 532 13 41-49 | Blade, Mulching 42" Std | 117 | 532 18 86-06 | Wheel, Gauge |
| | | (for mulching mowers only) | 118 | 873 93 06-00 | Nut Centerlock 3/8-16 |
| -- | 532 13 97-75 | Blade Mulching 42" Premium | 119 | 819 12 14-14 | Washer 3/8 x 7/8 x 14 Ga. |
| | | (For better wear when mulching) | 129 | 819 13 13-12 | Washer 13/32 x 13/16 x 12 Ga. |
| 13 | 532 13 76-45 | Shaft Assembly, Mandrel, Vented | 130 | 874 78 06-16 | Bolt 3/8-16 x 1 Gr. 5 |
| 14 | 532 12 87-74 | Housing, Mandrel, Vented | 131 | 872 14 06-08 | Bolt 3/8-16 unc x 1 |
| 15 | 532 11 04-85 | Bearing, Ball, Mandrel | 142 | 532 16 58-90 | Arm Spring Brake Mower |
| 16 | 532 17 44-93 | Stripper, Mandrel Deck | 143 | 532 15 71-09 | Bracket Arm Idler 42" |
| 18 | 872 14 05-05 | Bolt, Carriage 5/16-18 x 5/8 | 144 | 532 17 34-41 | Keeper Belt 42" Clutch Cable |
| 19 | 532 13 28-27 | Bolt, Shoulder | 145 | 532 17 34-37 | Pulley Idler Flat |
| 20 | 532 15 97-70 | Baffle, Vortex | 146 | 532 17 34-43 | Bolt Carriage Idler |
| 21 | 873 68 05-00 | Nut | 147 | 532 13 13-35 | Spring Extension |
| 23 | 532 17 75-63 | Bracket, Deflector Mower 42" | 148 | 532 16 90-22 | Spring Return Idler |
| 24 | 532 10 53-04 | Cap, Sleeve 80 x 112 Blk Mower | 149 | 532 16 58-98 | Retainer Spring Yellow |
| 25 | 532 12 37-13 | Spring, Torsion, Deflector 2 52 | 150 | 819 09 12-10 | Washer 9/32 x 3/4 x 10 Ga. |
| 26 | 532 11 04-52 | Nut, Push Phos & Oil | 152 | 532 16 96-76 | Clutch Cable 42" |
| 27 | 532 17 18-59 | Shield, Deflector 42" Blk | 158 | 817 72 04-08 | Screw Hex Thd Cut 1/4-20 x 1/2 |
| 28 | 819 11 10-16 | Washer 11/32 x 5/8 x 16 Ga. | 159 | 872 14 06-14 | Bolt Rdhd Sqn 3/8-16 unc x 1-3/4 |
| 29 | 532 13 14-91 | Rod, Hinge 42" 6 75 W/G | 184 | 819 13 14-10 | Washer 13/32 x 7/8 x 10 Ga. |
| 30 | 532 17 39-84 | Screw Thdrol | 185 | 532 18 82-34 | Head Asm Cable Clutch |
| 31 | 532 18 76-90 | Washer, Spacer Mower Vented | -- | 532 13 07-94 | Mandrel Assembly (Includes Housing Shaft and Shaft Hardware Only - Pulley Not Included) |
| 32 | 532 17 34-36 | Pulley, Mandrel | -- | 53217 25-59 | Replacement Mower, Complete (Std. deck-Order seperately gauge wheel componants Key Nos. 116-119) |
| 33 | 532 17 83-42 | Nut, Toplock | | | |
| 34 | 872 11 06-12 | Bolt Carr SH 3/8-16 x 1-1/2 Gr.5 | | | |
| 36 | 532 17 34-38 | Pulley, Idler, Flat | | | |
| 40 | 873 90 06-00 | Nut Lock 3/8-16 | | | |
| 44 | 532 14 00-88 | Guard, Mandrel, LH | | | |
| 45 | 532 00 44-97 | Retainer | | | |
| 46 | 532 13 77-29 | Screw, Thdrol 1/4-20 x 5/8 T | | | |
| 48 | 532 13 39-44 | Washer, Hardened | | | |
| 52 | 532 13 98-88 | Bolt, Shoulder 5/16-18 unc | | | |

NOTE: All component dimensions given in U.S. inches
1 inch = 25.4 mm

TRACTOR - - MODEL NUMBER PP185H42 (96011021700), PRODUCT NO. 960 11 02-17
MOWER LIFT



lift-rh.1piece_3

| KEY NO. | PART NO. | DESCRIPTION |
|---------|--------------|-------------------------------|
| 1 | 532 19 84-17 | Wire Asm Inner/Sprg W/plunger |
| 2 | 532 19 80-70 | Shaft Asm Lift RH w/Inf |
| 3 | 532 18 88-22 | Pin Groove 5/16 Dia x 1.875 |
| 4 | 812 00 00-02 | E Ring #5133-62 |
| 5 | 819 21 16-21 | Washer 21/32 x 1 x 21 Ga. |
| 6 | 532 12 01-83 | Bearing Nylon Blk 629 Id |
| 7 | 532 12 56-31 | Grip Handle |
| 8 | 532 17 07-70 | Button Plunger |
| 11 | 532 13 98-65 | Link Lift LH Fixed Length |
| 12 | 532 13 98-66 | Link Lift RH Fixed Length |
| 13 | 532 12 46-70 | Retainer Spring |

| KEY NO. | PART NO. | DESCRIPTION |
|---------|--------------|------------------------------|
| 15 | 532 17 32-88 | Link Front |
| 16 | 873 35 08-00 | Nut Jam Hex 1/2-13 unc |
| 17 | 532 17 56-89 | Trunnion |
| 18 | 873 80 08-00 | Nut Lock W/Wsh 1/2-13 unc |
| 19 | 532 13 98-68 | Arm Suspension Rear |
| 20 | 532 19 42-09 | Pin Cotter 7/16 Bow Tie Lock |
| 31 | 532 16 98-65 | Bearing Pvt Lift |
| 32 | 873 54 06-00 | Nut Crownlock 3/8 - 24 |

NOTE: All component dimensions given in U.S. inches
1 inch = 25.4 mm